

# SWISS Belly Charter

Reliable  
Customized  
Swiss Quality

We care for your cargo.



# SWISS Belly Charter

## Reliable quality in extraordinary times

To keep supporting the global supply chain and delivering goods on behalf of our precious customers, Swiss WorldCargo is now offering Charter Flights on its Boeing 777-300ER, Airbus A330-300/A340-300 and Airbus A320 Family aircraft.

The unprecedented effects of the corona virus have caused severe impacts to the global aviation and air cargo industries. As a result, we have also had to adjust our standard Swiss WorldCargo network.

Despite the slowdown in global air travel, we are seeing an ongoing demand for the transportation of goods. Such extraordinary times require extraordinary measures. That's why Swiss WorldCargo is introducing its newly designed solution, Belly Charter. To fulfill all shipping needs, two variations of our new service have been defined: Full Belly and Charter Co-Load.

### Why SWISS Belly Charter

#### Your Benefits

- Extremely short acceptance times
- Flexible routing options
- Customized shipping solutions
- Customized quotes
- Personalized customer service
- Highly-efficient transport and handling processes ensure that your cargo gets to its destination extremely quickly and on time
- Online tracking makes it possible to be informed about the status of your shipment
- Delivery possible all over the world

### Full Belly

Full Belly is an entire chartered aircraft and meant for one single customer.

To process a request of Full Belly, the following information are necessary to be provided.

- Customer / Company Name / Contact Details
- Routing
- One way / Return
- Full Belly
- Pcs. / Volume / Dims / Weight
- Commodity
- Uplift Date
- Target Price / Budget or Benchmark info if available
- One Off or Regular Flight

### Charter Co-Load

Charter Co-Load is an agreement with multiple customers for one full belly flight.

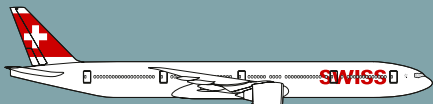
To process a request of Charter Co-Load, the following information are necessary to be provided.

- Customer (Multiple / Origins) / Company Name(s) / Contact Details
- Routing
- One Way / Return
- Co-Load: Number of Units / Unit Type
- Chargeable Weight
- Pcs. / Volume / Dims / Weight
- Commodity
- Ready to sign BSA?
- Uplift Date
- Target Price / Budget or Benchmark info if available
- One Off or Regular Flight



For both variants of SWISS Belly Charter, all inquiries need to be requested to [cargo.charter@swiss.com](mailto:cargo.charter@swiss.com)  
[swissworldcargo.com/belly-charter](https://swissworldcargo.com/belly-charter)

## Our Fleet



### Boeing 777-300ER (77W)

#### Area of operation

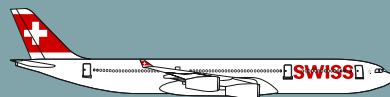
North and South America, Africa, Middle East and Asia

#### Capacity for cargo and mail

Up to 47 tons with 0 passengers

#### Possible versions of allocation for cargo and mail

14 Pallets and 0 LD3 Container or 0 Pallets and 44 LD3 Container



### Airbus A340-300 (343)

#### Area of operation

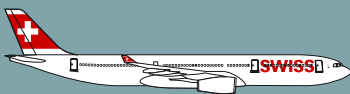
North and South America, Africa, Middle East and Asia

#### Capacity for cargo and mail

Up to 32 tons with 0 passengers

#### Possible versions of allocation for cargo and mail

11 Pallets and 1 LD3 Container or 1 Pallets and 31 LD3 Container



### Airbus A330-300 (333)

#### Area of operation

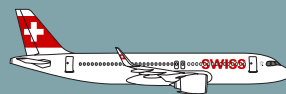
North and South America, Africa, Middle East and Asia

#### Capacity for cargo and mail

Up to 29 tons with 0 passengers

#### Possible versions of allocation for cargo and mail

11 Pallets and 0 LD3 Container or 1 Pallets and 30 LD3 Container



### Airbus A320

#### Area of operation

Europe, North Africa, Middle East

#### Capacity for cargo and mail

Depends on flight time

#### Possible versions of allocation for cargo and mail

7 LD3-45 Containers or Pallets

## Our Route Network



### SWISS in Europe

Amsterdam  
Athens  
Barcelona  
Belgrade  
Berlin  
Bilbao  
Birmingham  
Bordeaux

Bremen  
Brindisi  
Brussels  
Bucharest  
Budapest  
Copenhagen  
Dresden  
Dublin

Dusseldorf  
Florence  
Frankfurt  
Geneva  
Gothenburg  
Graz  
Hamburg  
Hanover

Kiyv  
Krakow  
Leipzig/Halle  
Lisbon  
Ljubljana\*  
London City  
London Gatwick  
London Heathrow

Luxembourg  
Madrid  
Malaga  
Manchester  
Milan  
Moscow  
Munich  
Naples

Nice  
Niš  
Nuremberg  
Oslo  
Palma de Mallorca  
Paris  
Porto  
Prague

Pristina  
Rome  
Saint Petersburg  
Stockholm  
Stuttgart  
Valencia  
Venice  
Vienna

Warsaw  
Wrocław  
Zurich

• SWISS destinations  
• New SWISS destinations  
\* Winter destinations

## Our Unit Load Devices (Containers)

For SWISS Belly Charter, the following two container options are available.

### IATA CODE: AKH

**Loadable:**

319 / 320 / 321

**Usable loading area:**

145 × 143 cm / 57 × 56 in

**Max. height:**

111 cm / 44 in

**Top Length:**

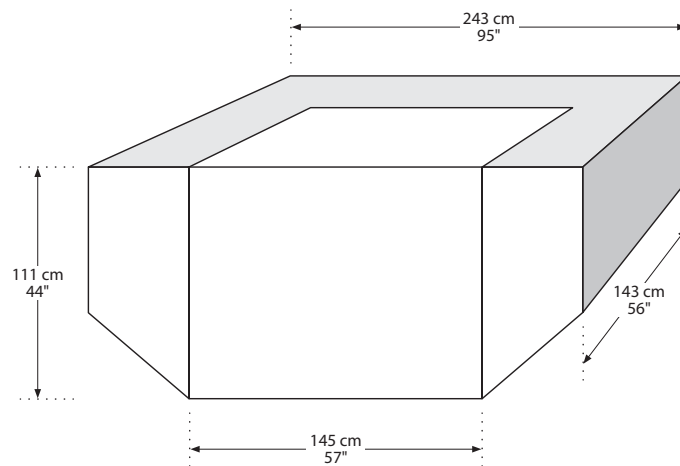
243 cm / 96 in

**Tare weight:**

82 kg / 180 lbs

**Max. gross weight:**

1134 kg / 2500 lbs



### IATA CODE: AKE

**Loadable:**

333 / 343 / 77W

**Usable loading area:**

146 × 144 cm / 57 × 57 in

**Max. height:**

153 cm / 60 in

**Top Length:**

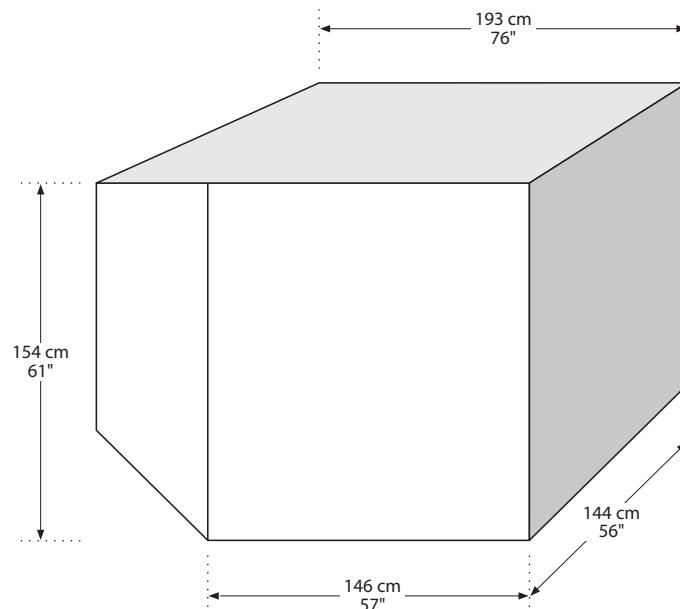
193 cm / 76 in

**Tare weight:**

66-88 kg / 145-194 lbs

**Max. gross weight:**

1587 kg / 3500 lbs



## Our Unit Load Devices (Pallets)

For SWISS Belly Charter, the following three pallet options are available.

### IATA CODE: AMP

**Loadable:**

333 / 343 / 77W

**Usable loading area:**

305 × 223 cm / 120 × 88 in

**Max. height:**

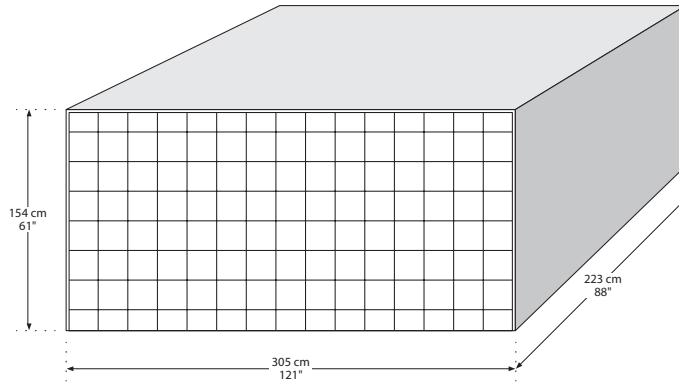
154 cm / 61 in

**Tare weight:**

270 kg / 595 lbs

**Max. gross weight:**

5103 kg / 11250 lbs



### IATA CODE: PMC

**Loadable:**

333 / 343 / 77W

**Usable loading area:**

304 × 230 cm / 120 × 91 in

**Max. height:**

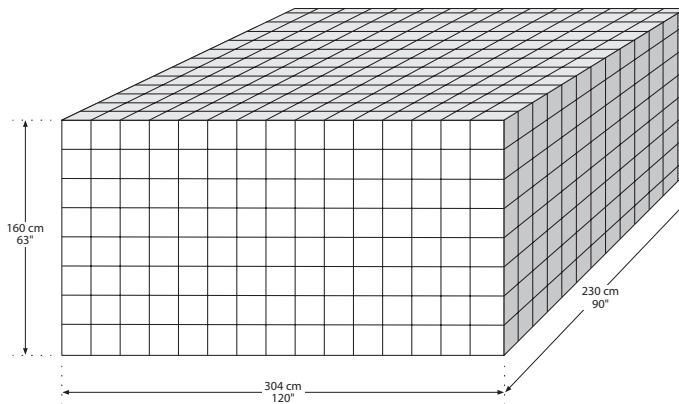
160 cm / 63 in

**Tare weight:**

110 kg / 242 lbs

**Max. gross weight:**

5103 kg / 11250 lbs



### IATA CODE: PKC

**Loadable:**

319 / 320 / 321

**Usable loading area:**

145 × 143 cm / 57 × 56 in

**Max. height:**

114 cm / 45 in

**Tare weight:**

40 kg / 88 lbs

**Max. gross weight:**

1134 kg / 2500 lbs

